

KLARI-PowerAnalyzer **625** kHz for mobile measurements in Electric & Hybrid Vehicles

**Applications**

- eDrive Testing
- High Speed DC measurements
- Suitable with all High Voltage KLARI-PROBES
- Fits perfect with Klaric High Voltage Measurement Adapters

**Features**

- 1500V or 4000V DC reinforced isolation
- RMS, power, work, cos phi calculation
- 4 or 8 channel measuring module
- 625 kHz / 24 Bit ADCs
- XCP-on-Ethernet or KlaricServer
- Two CAN Interfaces

**PROBE variants**

- Current-PROBE
- Voltage-PROBE
- Combi-PROBE for Measurements of Current and Voltage

**Measurement capabilities**

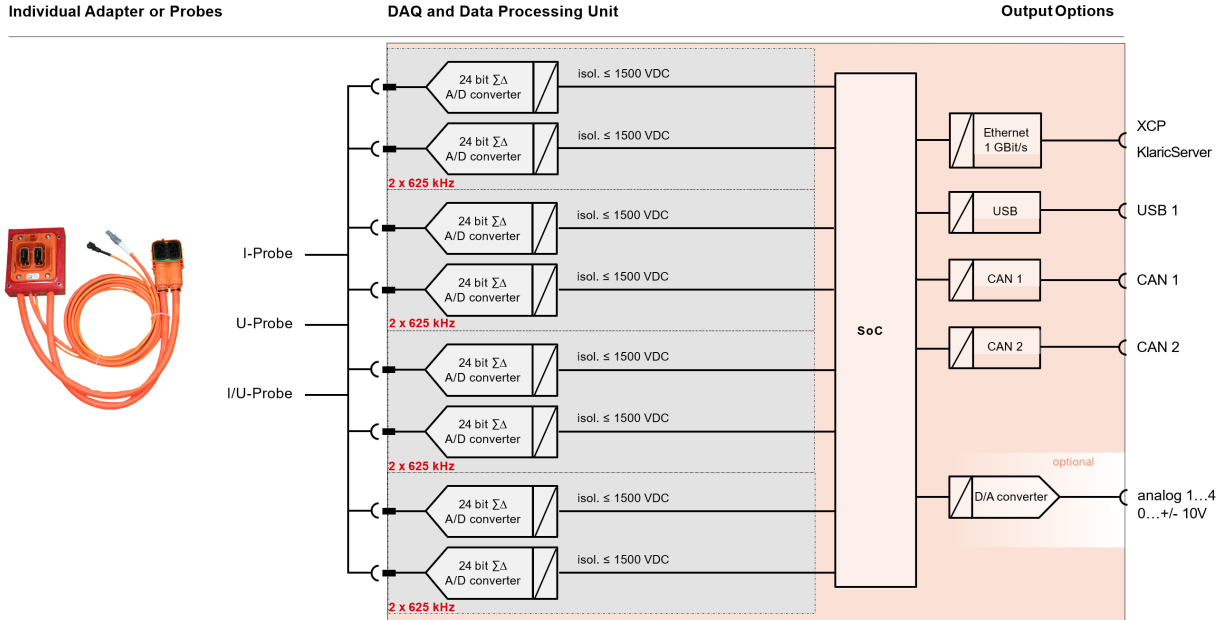
- Use in laboratory as well as in vehicle:
  - Measuring Current and Voltage on high potentials
- Digital Filters
  - Average Filter
  - Moving Average Filter
- DC-Measurements
- AC-Measurements and calculation of:
  - Effective Values of Current and Voltage
  - cos phi
  - Power and Work

**Versions**

- KLARI-PA625 mobile
  - Reinforced isolation 1500 V DC
  - 625 kHz sample rate per channel (maximum)
  - 4/8 DAQ, data processing and output interfaces in the same housing
- KLARI-PA625 mobile FO
  - Reinforced isolation 4000 V DC (Fiber Optic)
  - 625 kHz sample rate per channel (maximum)
  - Decentral DAQ modules for placing next to the measuring point
  - Data processing unit for data collection and output interfaces

# KLARI-PA625 mobile

## KLARI-PowerAnalyzer 625 mobile: 8 – channel option



## KLARI-PA 625 mobile FO: 8 – channel option

