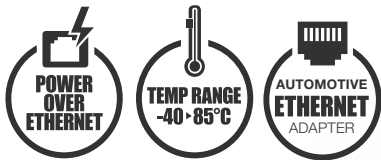


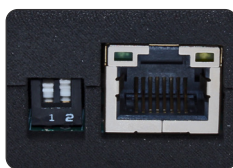
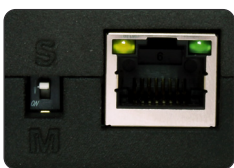
AE-100 & AE-1000

Plug and Play Automotive Ethernet Adapter



The ATI Automotive Ethernet Adapters are bi-directional physical layer media converters which converts between standard 100Base-T Ethernet and 100Base-T1 Automotive Ethernet. The AE-1000 has the added feature of supporting conversions between 1000Base-T Ethernet and 1000Base-T1 (OPEN Alliance BroadR-Reach (OABR) compatible) Automotive Ethernet via a user-selectable switch. Both the AE-100/1000 can be used out-of-the-box with all standard Ethernet devices and does not require any software to operate or configure.

- Both the AE-100/1000 are capable of 100Mbps pass-through data rate
- AE-1000 is capable of 1Gbps pass-through data rate
- Can be powered from vehicle power via the DB9 or from Power over Ethernet (PoE) which drastically simplifies wiring and makes it a plug and play standalone solution
- Physical switch to select M/S mode avoids auto-negotiation start-up delay
- AE-1000 has an additional physical switch to select speed
- Wide -40 to +85°C operating temperature for in-vehicle usage including hot/cold weather testing
- Automotive surge tolerant wide operating voltage of 6 to 36VDC, if PoE not available
- Rugged nylon enclosure with clip-on mounting bracket



Physical switch to select Master/Slave mode avoids auto-negotiation start-up delay

AE-1000 has two switches. One for Master/Slave, the other for speed selection.



General Specifications



Features

Speed	100Mbps data rate	100/1000Mbps data rate
Mode Switch	Selection of M/S Mode on Automotive Ethernet	Selection of M/S Mode on Automotive Ethernet Selection of 100Mbps Speed or 1Gbps Speed
Physical Layer	100Base-T1	100/1000Base-T1

Hardware

LEDs	Power indicator Ethernet link and status indicators	Power indicator Ethernet activity indicator Ethernet link and status indicators
RJ45 Connector	Standard 100Base-TX Ethernet	Standard 100/1000Base-TX Ethernet
DB-9 Connector	100Base-T1 Automotive Ethernet External DC Power Input	100/1000Base-T1 Automotive Ethernet External DC Power Input
Power	IEEE 802.3af/at PoE on RJ45 (or) 6 to 36VDC, automotive surge tolerant on DB-9	
Operating Temperature	-40°C to +85°C / -40°F to +185°F	
Warranty	1 Year	

Mechanical

Construction	IP40 nylon enclosure	
Mounting Options	Upon request, one clip-on mounting bracket can be included with purchase of an Automotive Ethernet Adapter	
Dimensions	61.5mm x 42.0mm x 28.0mm / 2.42in x 1.65in x 1.10in	78.5mm x 42.0mm x 28.0mm / 3.09in x 1.65in x 1.10in
Weight	52.6g / 1.9oz	65.21g / 2.3oz

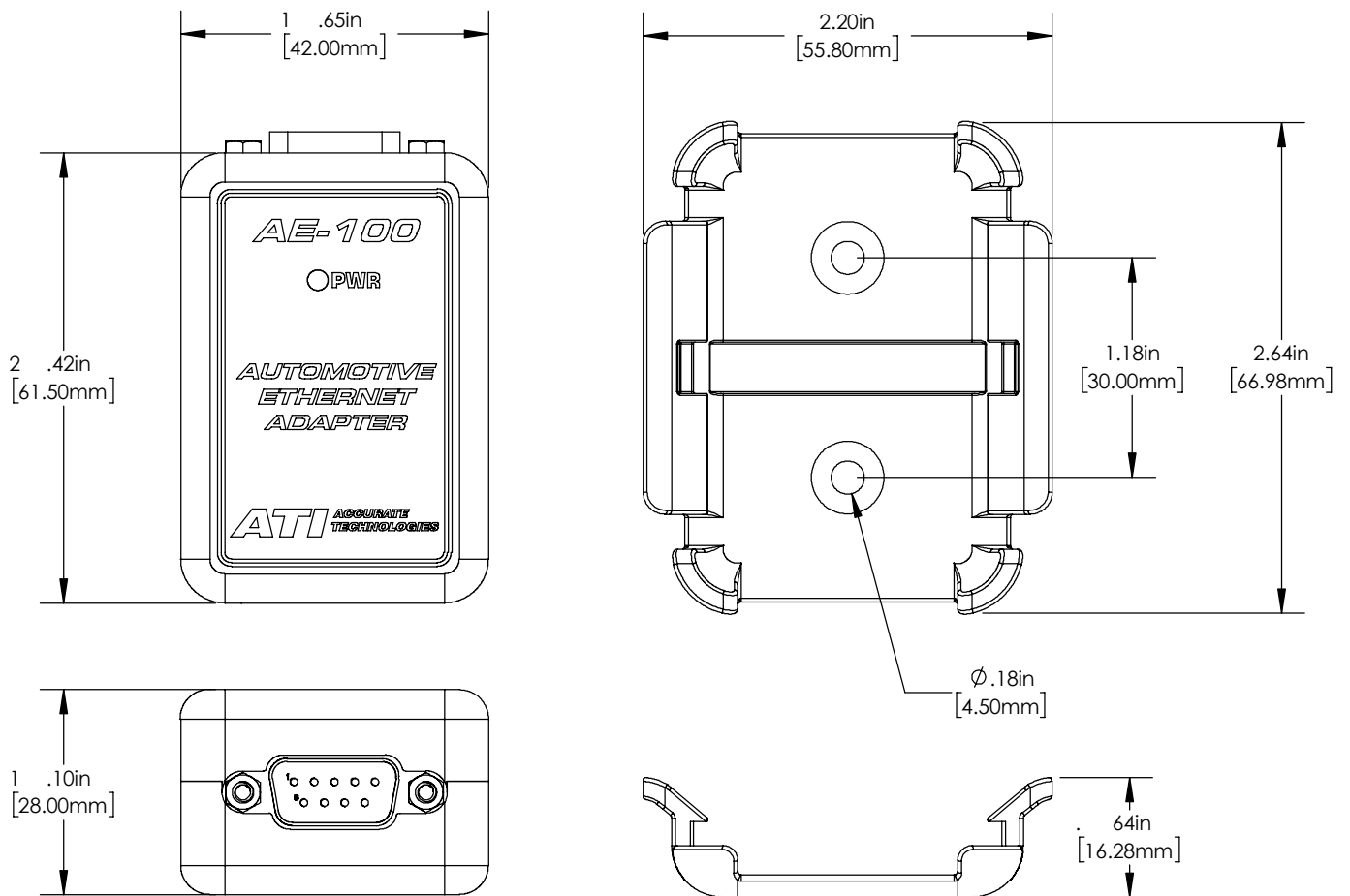
<p>Pinout</p>	 <p>153-0012</p> <p>1-NC 5-TRX_N 2-NC 6-GND 3-SHIELD 7-NC 4-TRX_P 8-NC 9-VPWR</p> <p>SERIAL#</p> <p>MADE IN USA</p>	 <p>153-0014</p> <p>1-NC 5-TRX_N 2-NC 6-GND 3-SHIELD 7-NC 4-TRX_P 8-NC 9-VPWR</p> <p>RSP  1000* CMD  100*</p> <p>*HOST ADAPTER MUST BE SET TO MATCHING SPEED</p> <p></p>
---------------	---	---

AE-100 Order Information

Product	
Part Numbers	Description
153-0012	AE-100 Automotive Ethernet Adapter - Standard

Accessories	
Part Numbers	Description
151-0055	Clip-on mounting bracket*

*30 Day Warranty

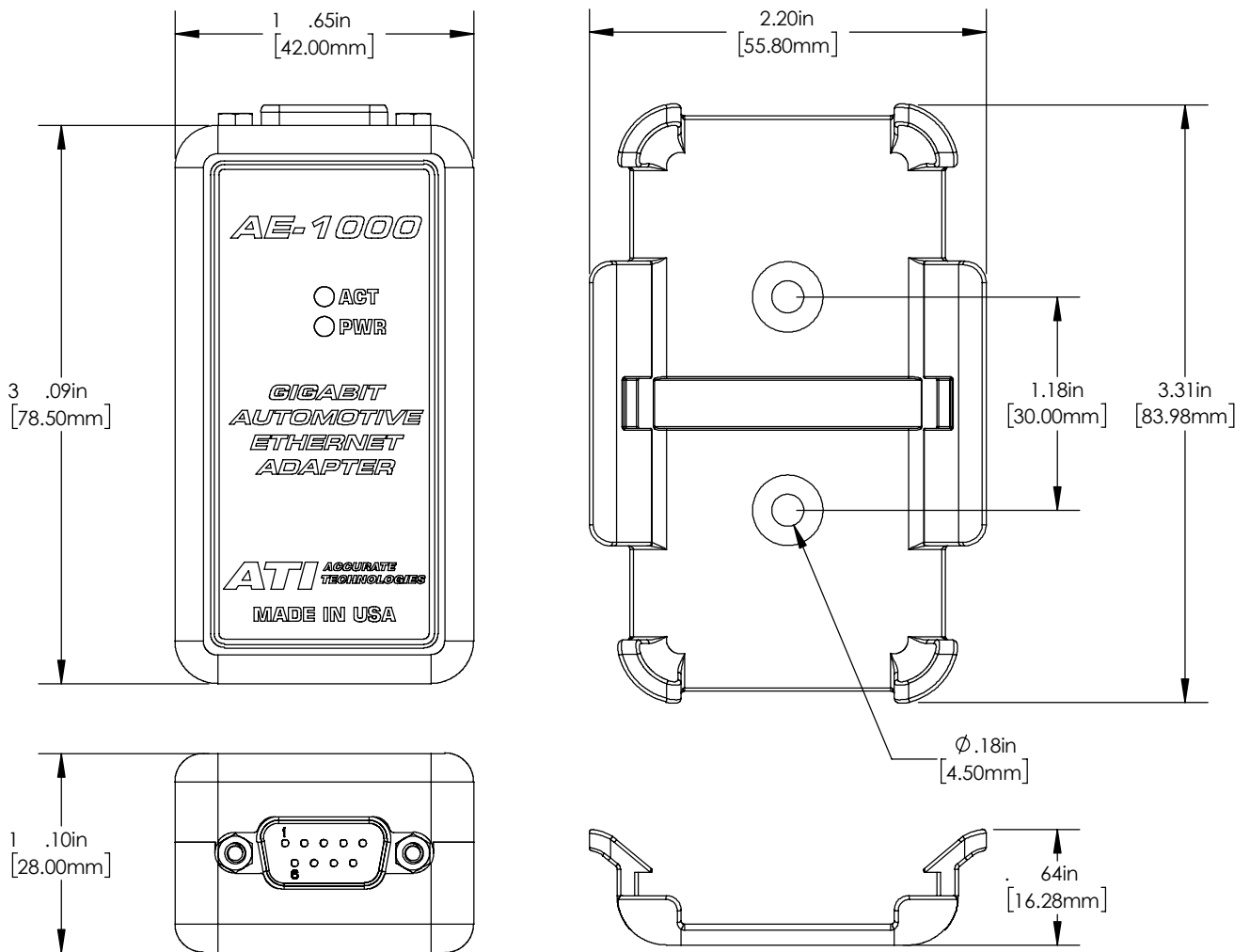


AE-1000 Order Information

Product	
Part Numbers	Description
153-0014	AE-1000 Gigabit Automotive Ethernet Adapter - Standard

Accessories	
Part Numbers	Description
151-0056	Clip-on mounting bracket*

*30 Day Warranty



ATI ACCURATE TECHNOLOGIES

sales@accuratetechnologies.com
www.accuratetechnologies.com

V5 EN - Automotive Ethernet Adapters



Information is provided on an "as is" basis and could include technical, typographical or other errors. Accurate Technologies Inc. makes no warranties, representations, or guarantees of any kind, express or implied, including but not limited to, accuracy, or completeness of the information, content, and products.