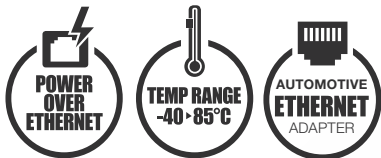


AE-100

Plug and Play Automotive Ethernet Adapter



The AE-100 Automotive Ethernet Adapter is a physical layer media converter from standard 100Base-T Ethernet to 100Base-T1 Automotive Ethernet (OPEN Alliance BroadR-Reach (OABR) compatible).

- Interfaces standard Ethernet devices to 100Base-T1 Automotive Ethernet
- 100Mbps pass-through data rate
- Physical switch to select M/S mode avoids auto-negotiation start-up delay
- Wide -40 to +85°C operating temperature for in-vehicle usage including hot/cold weather testing
- AE-100 can be powered by PoE (Power over Ethernet), such as from the ATI NS-1 Network Switch, simplifying wiring.
- Automotive surge tolerant wide operating voltage of 6 to 36VDC, if PoE not available
- Rugged nylon enclosure with clip-on mounting bracket
- The AE-100 can be used out-of-the-box with all standard Ethernet devices and doesn't require any software to operate or configure.



Physical switch to select M/S mode avoids auto-negotiation start-up delay



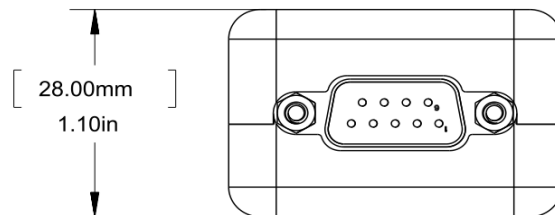
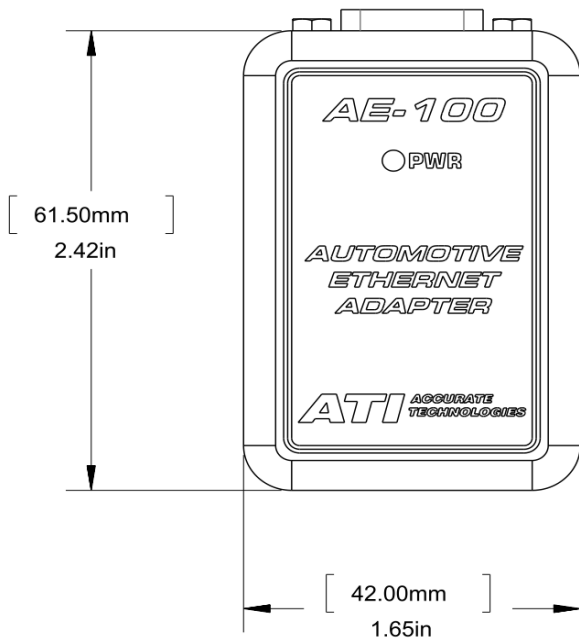
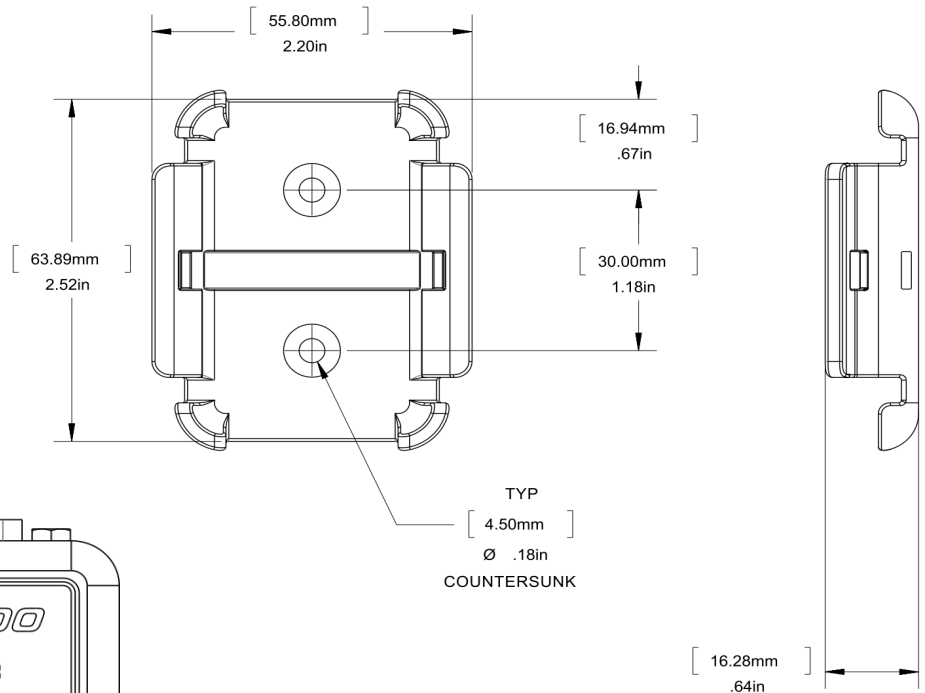
AE-100 General Specifications

Features	
Speed	100Mbps data rate
Mode Switch	Selection of M/S Mode on Automotive Ethernet
Physical Layer	TJA1100 100Base-T1 PHY Interface
Hardware	
LEDs	Power indicator Ethernet link and status indicators
RJ45 Connector	Standard 100Base-TX Ethernet
DB-9 Connector	100Base-T1 Automotive Ethernet External DC Power Input
Power	IEEE 802.3af/at PoE on RJ45 (or) 6 to 36VDC, automotive surge tolerant on DB-9
Operating Temperature	-40°C to +85°C / -40°F to +185°F
Mechanical	
Construction	IP40 nylon enclosure
Mounting Options	Clip-on mounting bracket included
Dimensions	61.5mm x 42.0mm x 28.0mm / 2.42in x 1.65in x 1.10in
Weight	52.6g / 1.9oz



AE-100 Order Information

Product	
Part Numbers	Description
153-0012	Standard



sales@accuratetechnologies.com
 www.accuratetechnologies.com

V3 EN -AE-100 Automotive Ethernet Adapter

